

FIG.1
PRIOR ART

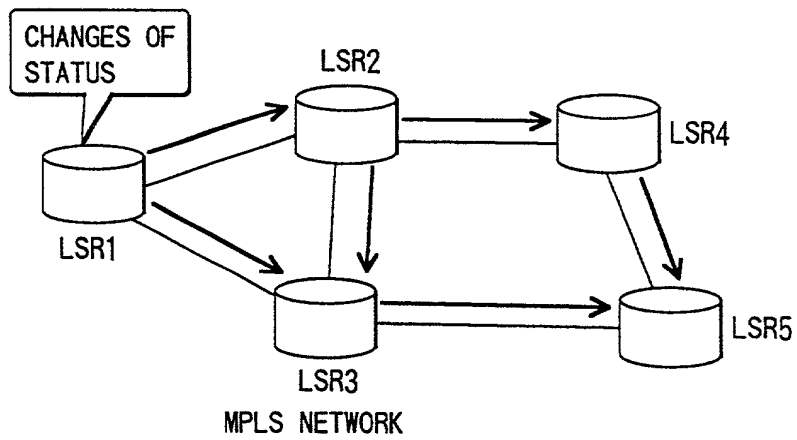


FIG.2

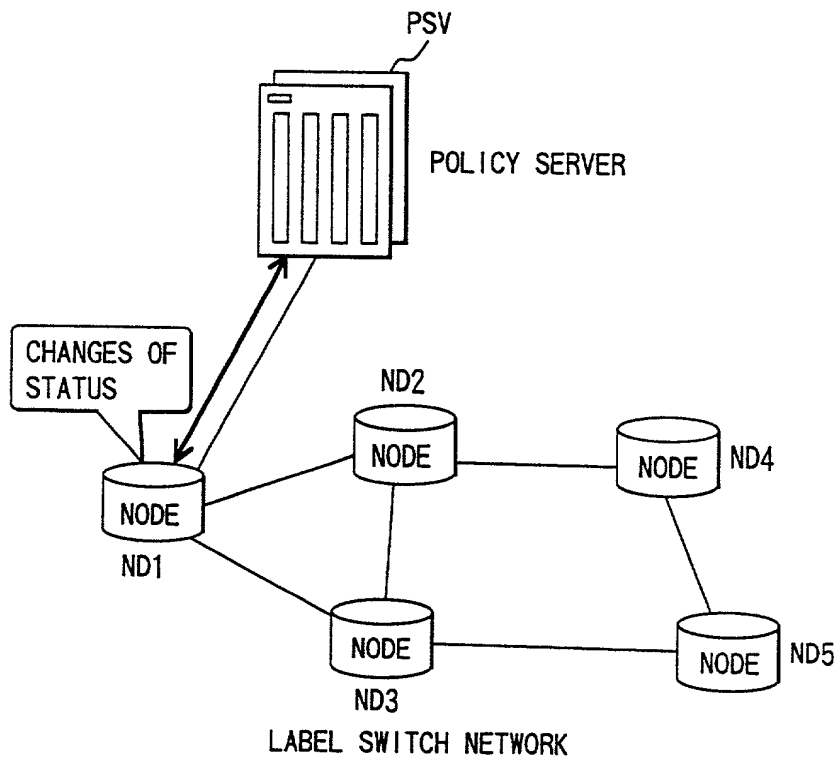
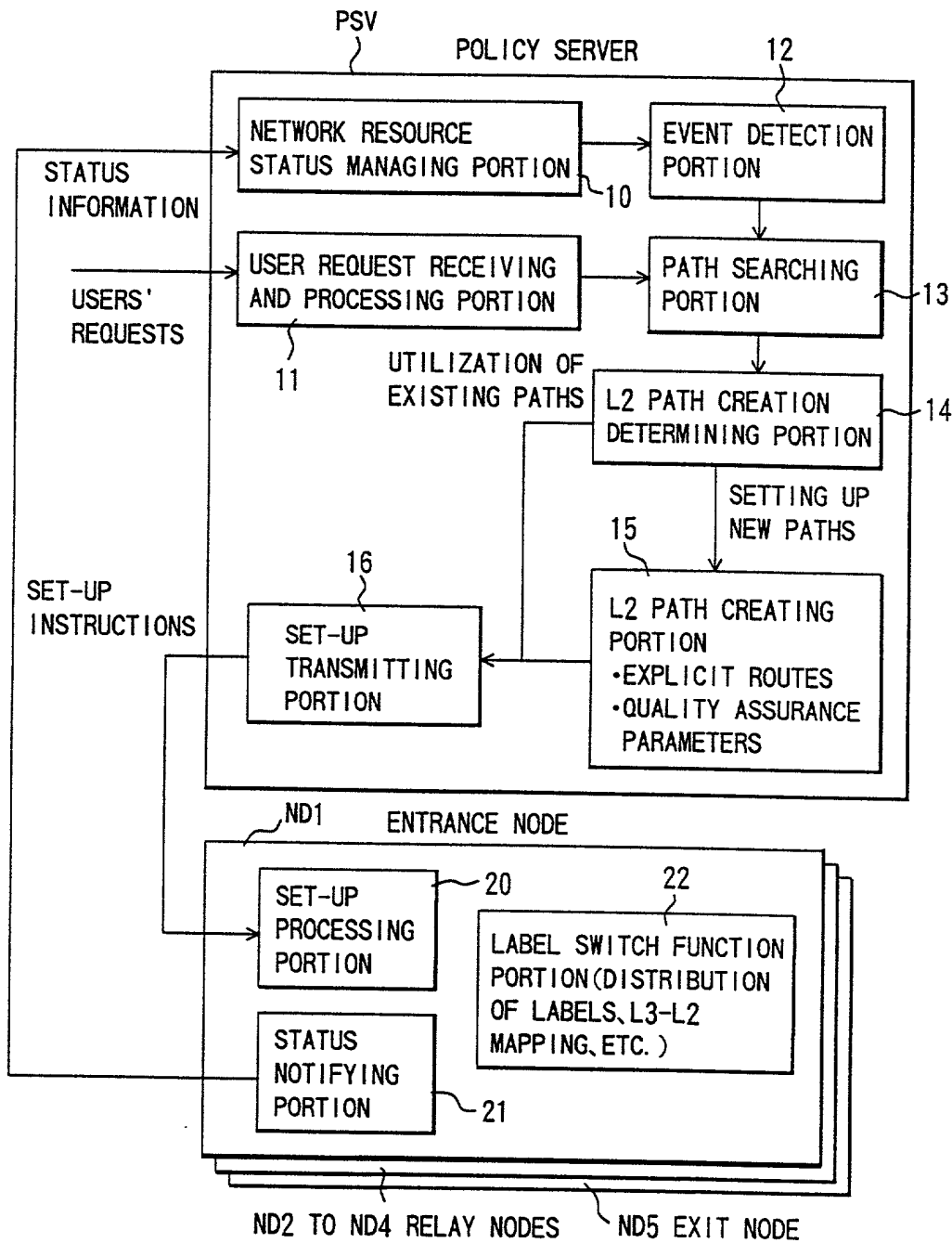


FIG.3



FOR SET-UP

7,000,000

FIG.4

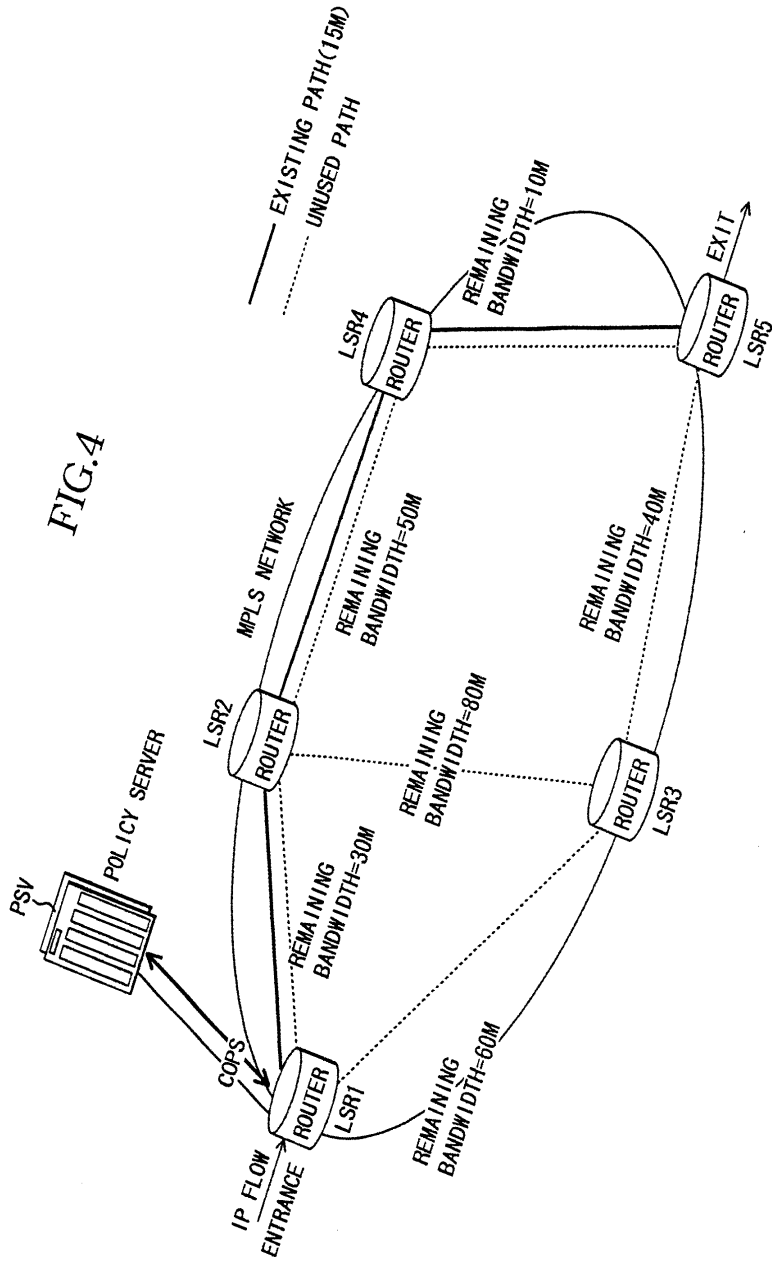


FIG.5

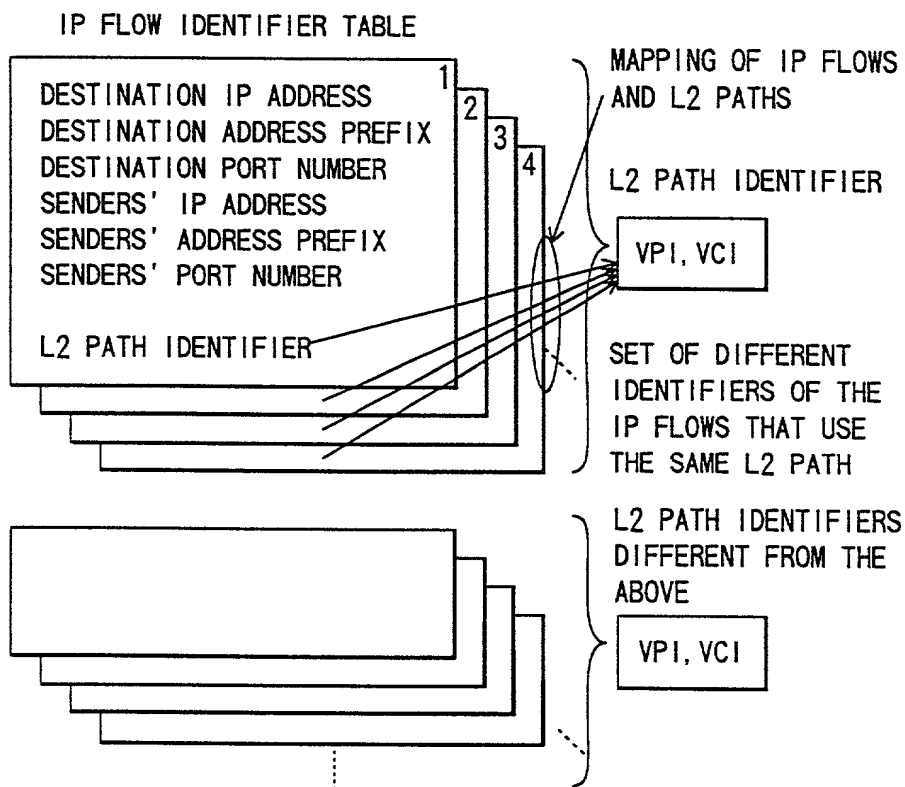


FIG.6

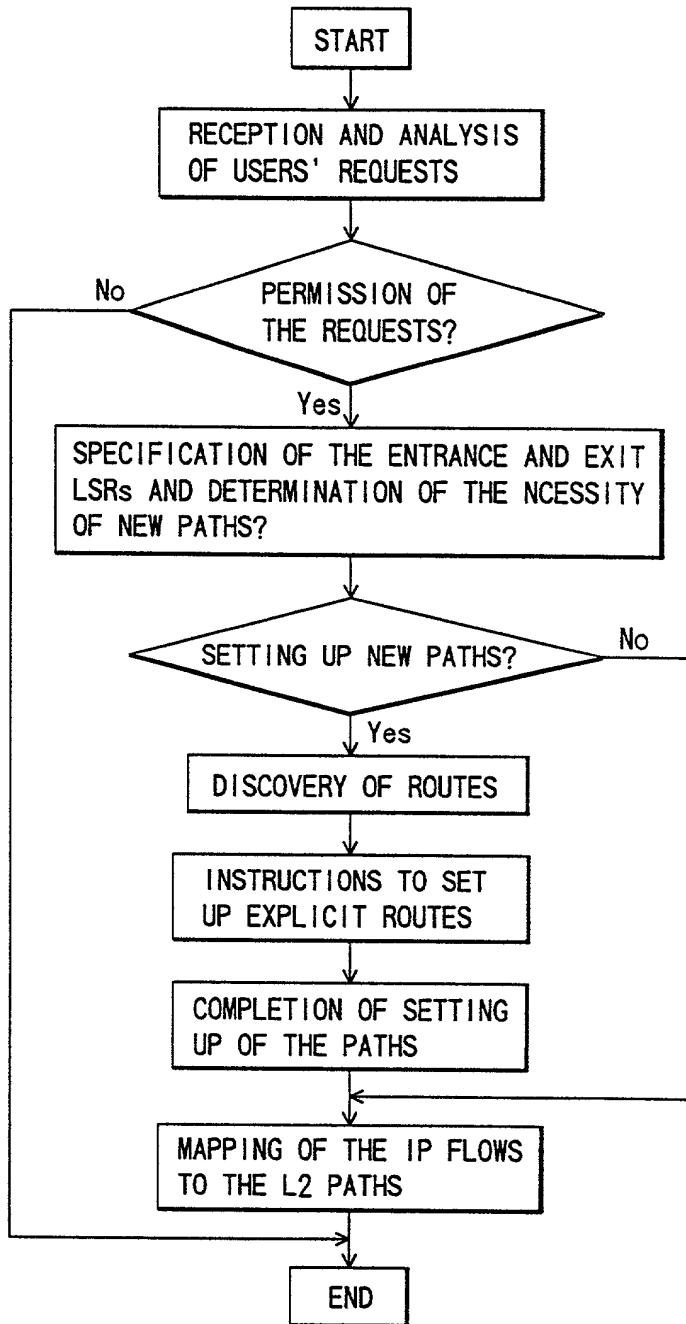


FIG. 6

FIG. 7

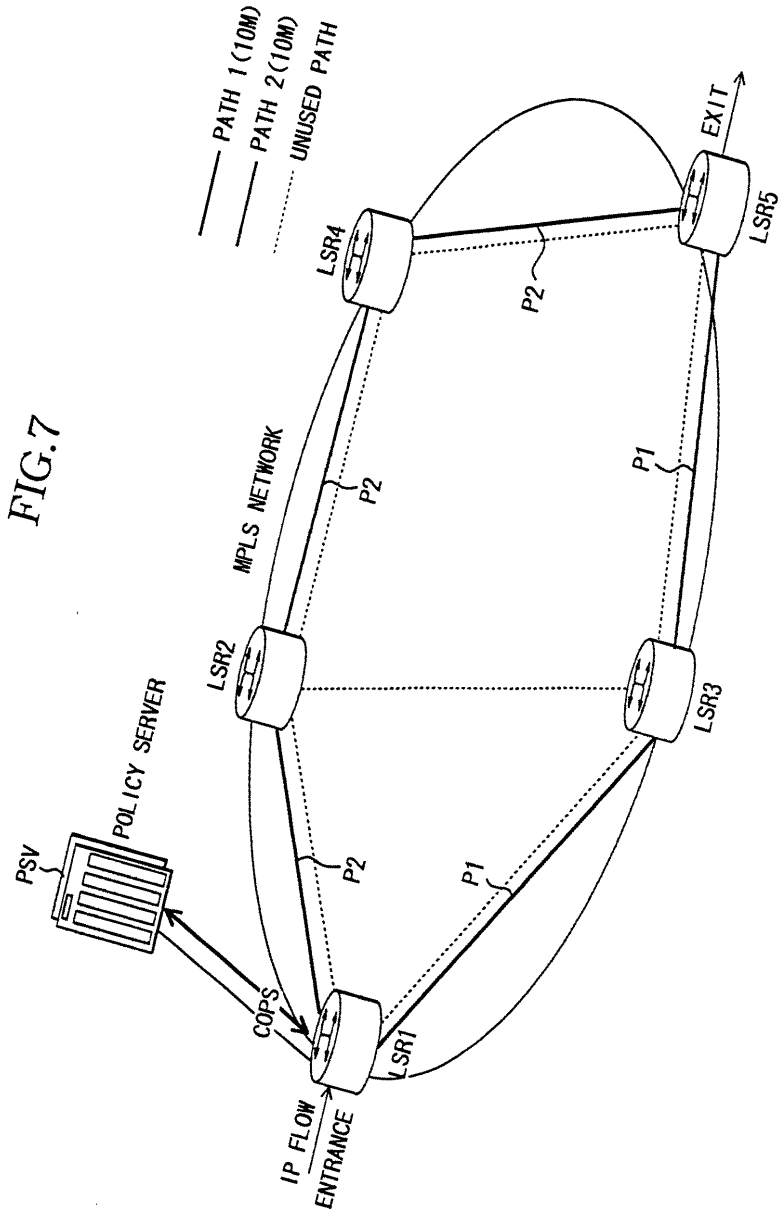


FIG.8

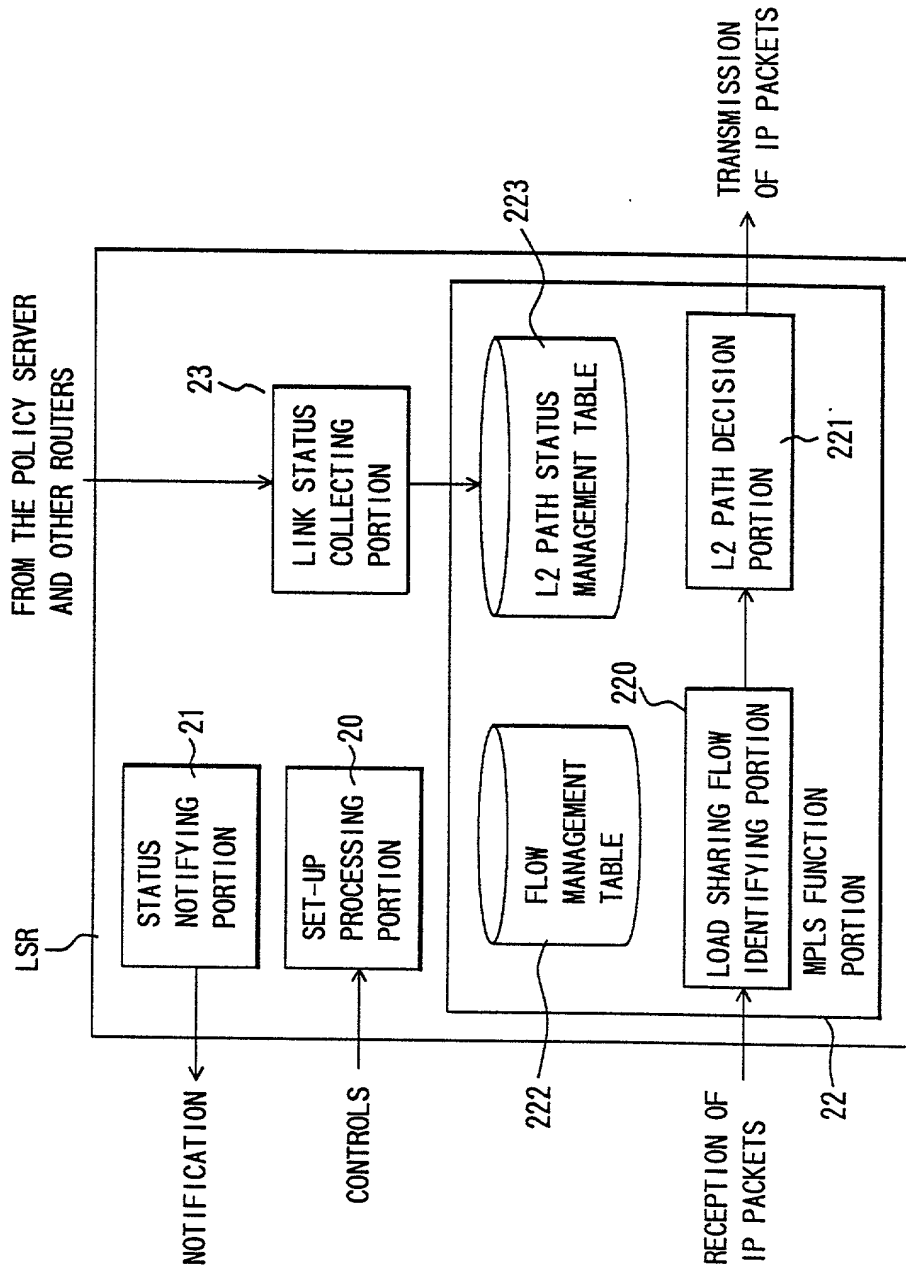


FIG. 9

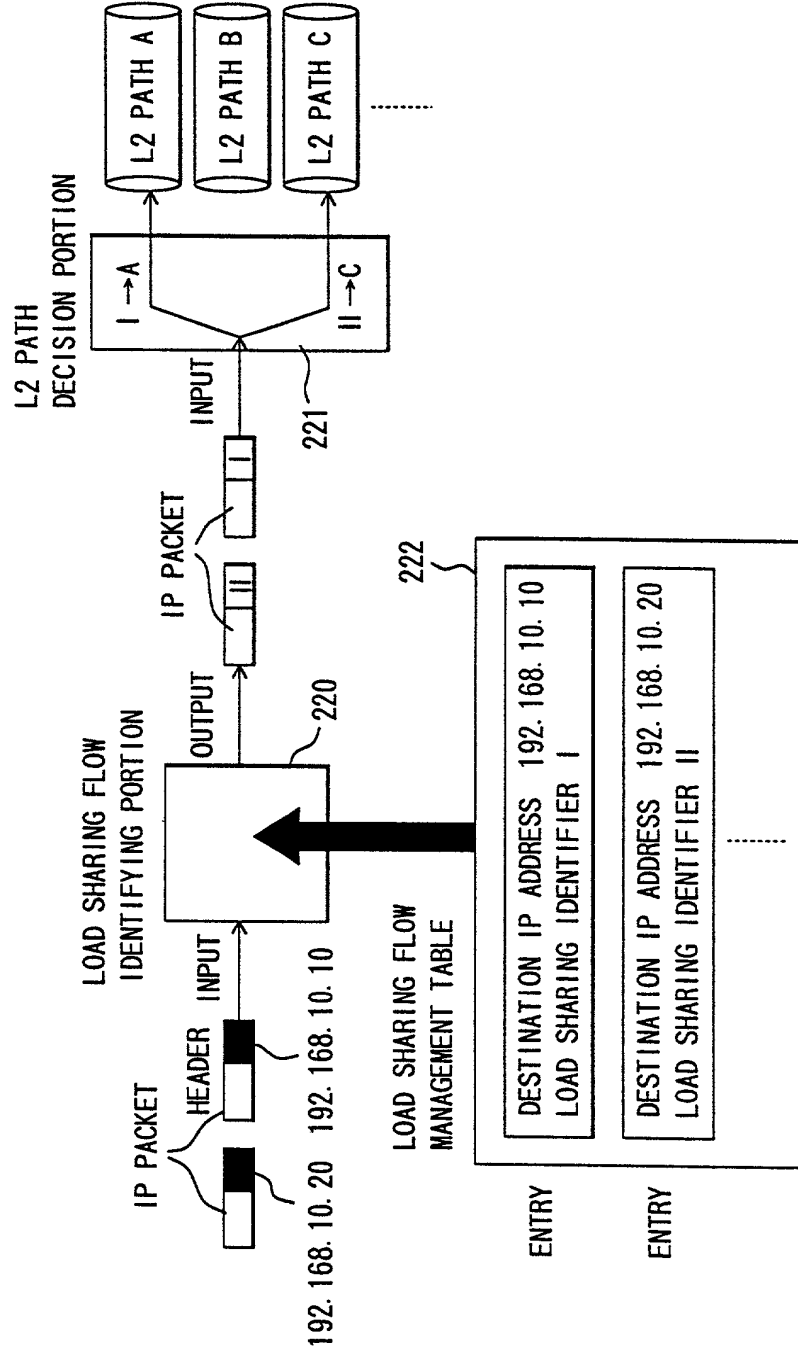


FIG. 10

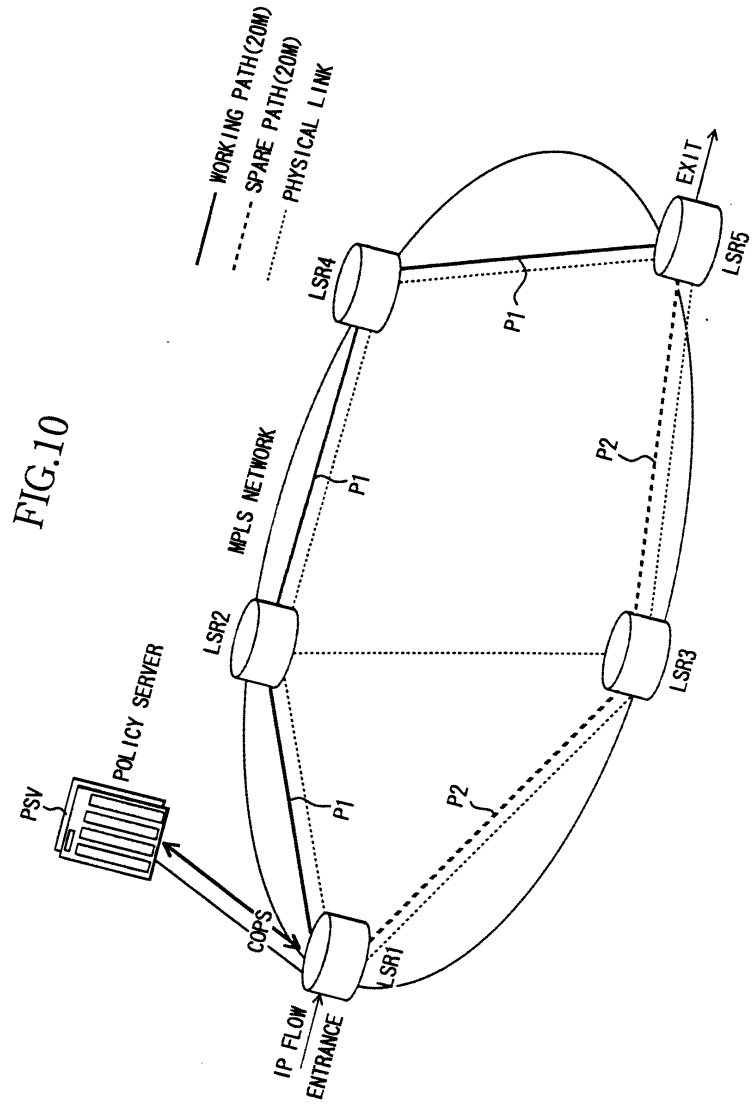


FIG.10

FIG. 11

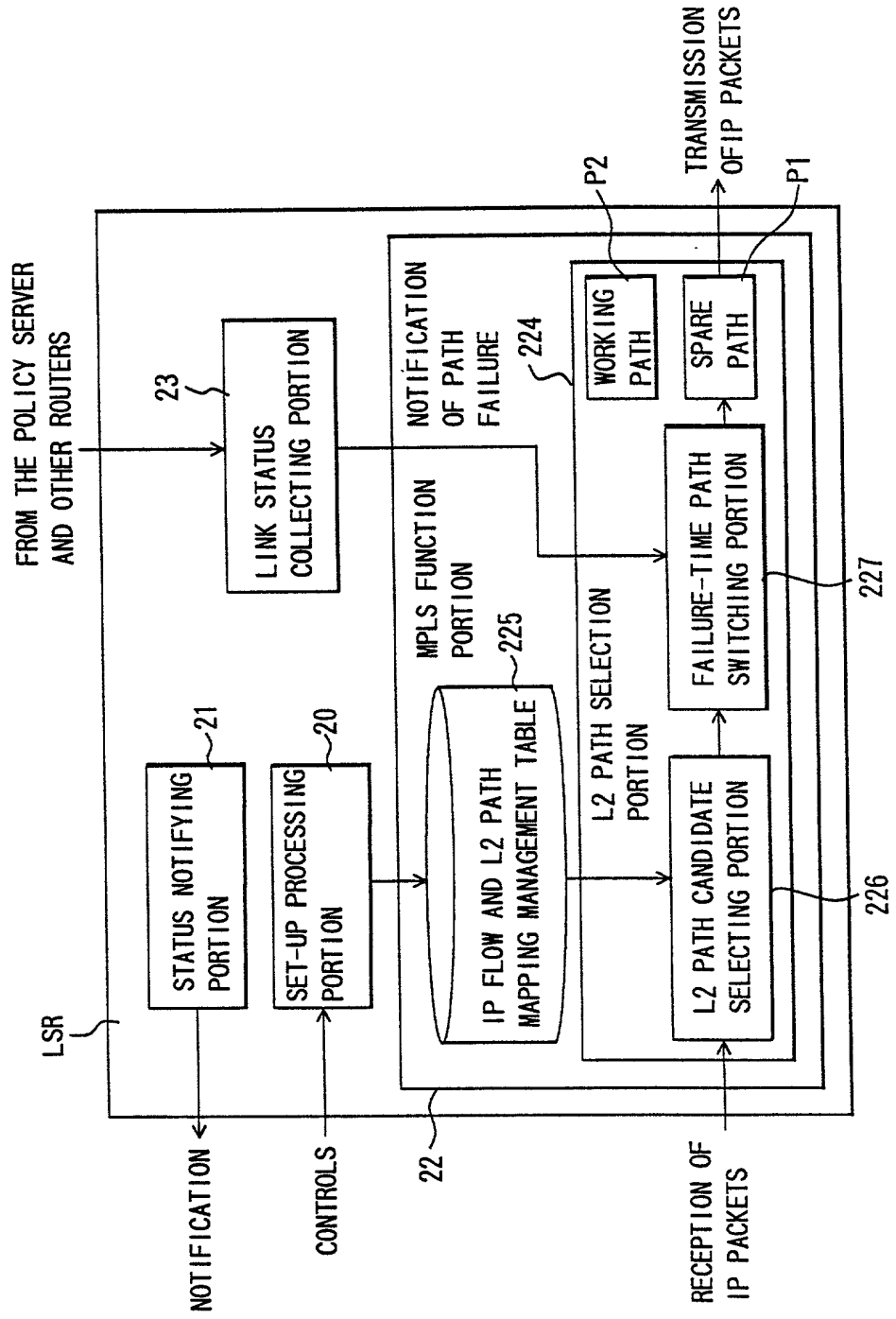
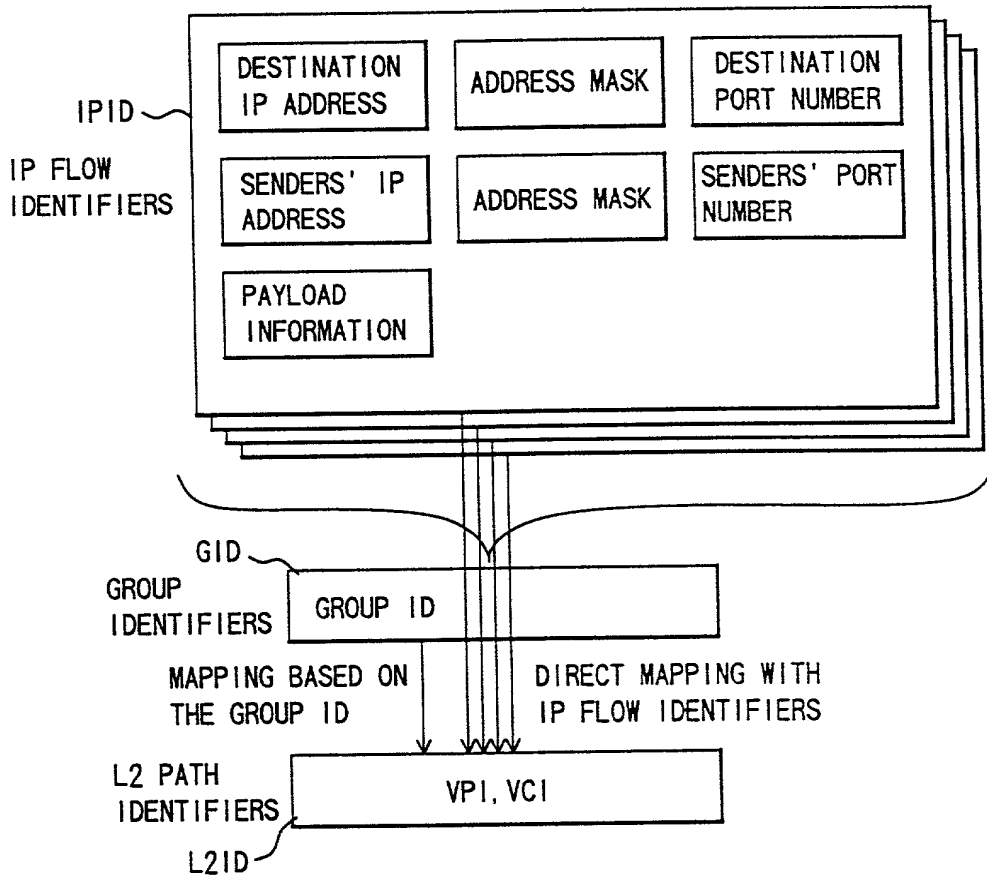


FIG.12



FOUNDER OF 6T09660